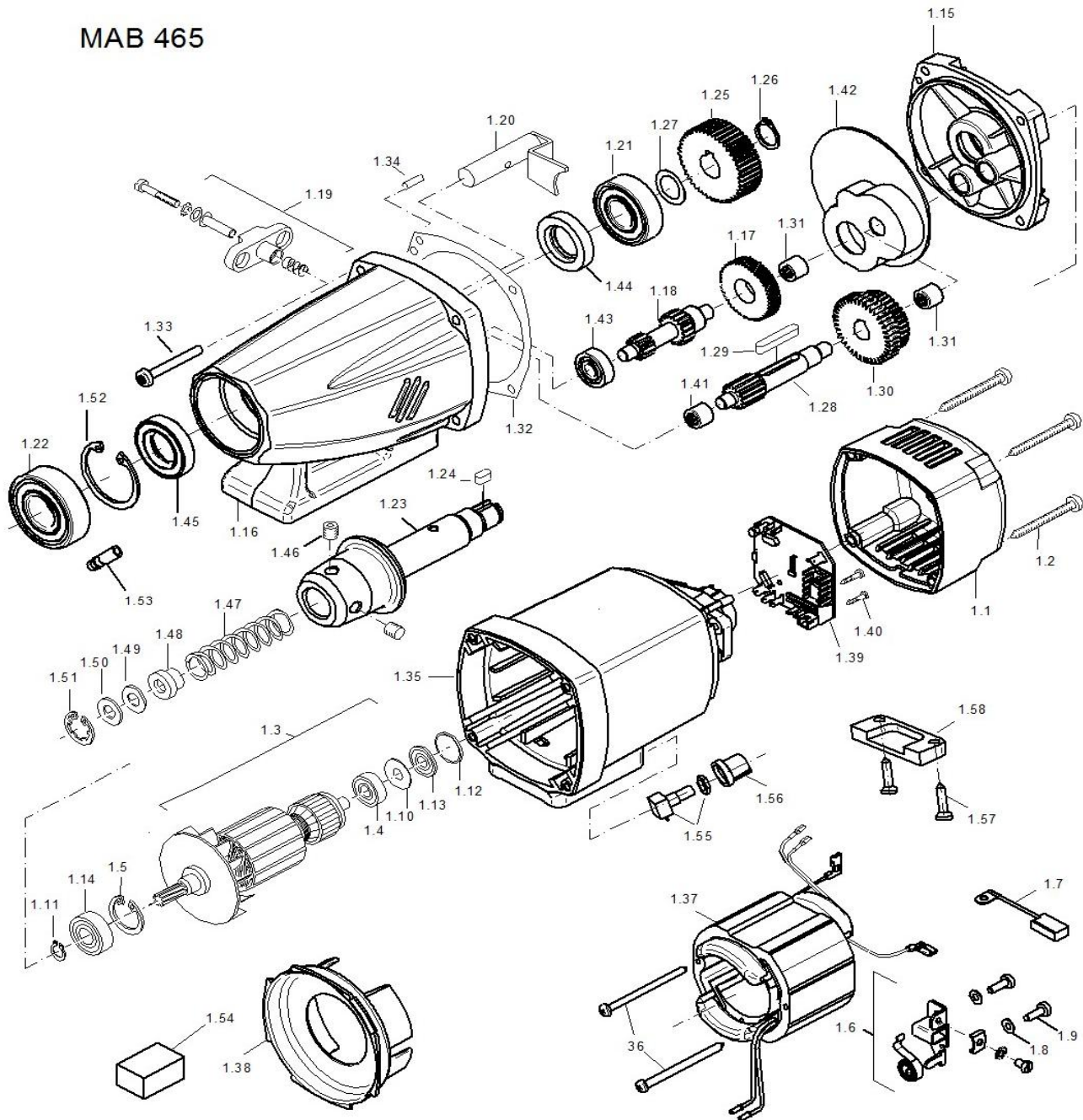


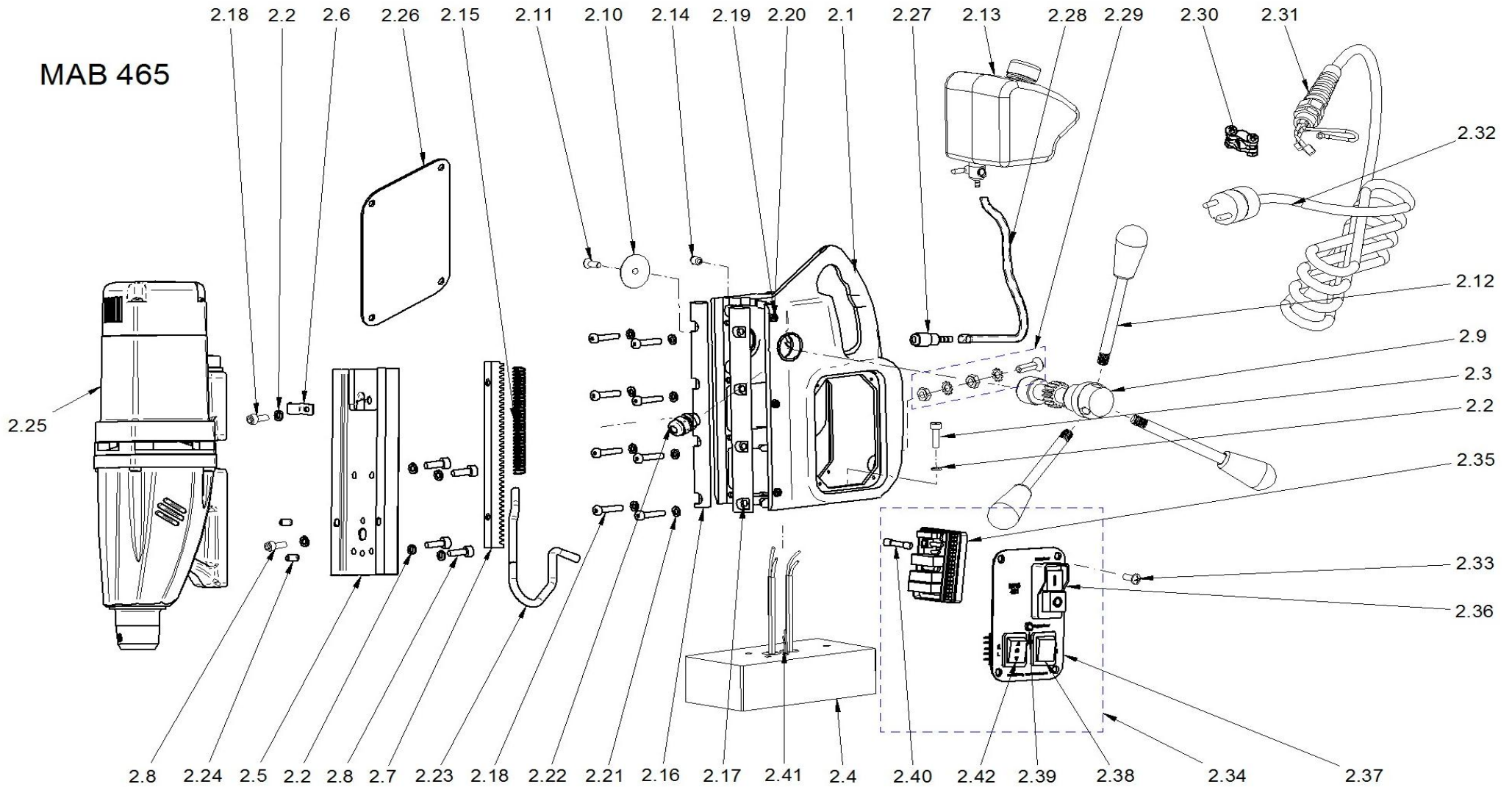
MAB 465



Pos. No.	Article no.	Description	pc.
1.1	5010691	Cap for motor housing	1
1.2	5010581	Screw HC 4,8x45 DIN 7981	4
1.3.1	5010811	Armature 110V	1
1.3.2	5010801	Armature 230V	1
1.4	5010061	Ball bearing 608 2Z	1
1.5	5010271	Circlip ring 28/1,2 DIN 472	1
1.6	5010561	Carbon brush holder	2
1.7.1	5010571	Carbon brush 6,3x10x18	2
1.7.2	5010572	Carbon brush 6,3x10x18 L85F13	2
1.8	5013981	Corrugated spring washer B4 DIN 137	4
1.9	5013991	Self tapping screw CM4 x 12	4
1.10	5014731	Pressboard washer	1
1.11	5010711	Circlip ring 11/1 DIN 471	1
1.12	5010591	O-Ring 22x2,5	1
1.13	5010781	Ring magnet	1
1.14	5012501	Ball bearing 6001 2RS	1
1.15	5010731	Gearbox bearing plate	1
1.16	5015261	Gear box housing	1
1.17	5010541	Intermedium wheel 34 teeth	1
1.18	5010421	Shaft with 2 pinions 19/11 teeth	1
1.19	5010521	Gear change complete	1
1.20	5010761	Clutch complete	1
1.21	5010611	Ball bearing 6203 2RS	1
1.22	5015291	Ball bearing 6204 2RS	1
1.23	5015271	Spindle	1
1.24	5010751	Spring A5x5x12 DIN 6885	1
1.25	5010621	Spindle wheel 45 teeth	1
1.26	5010721	Circlip ring 15/1 DIN 471	1
1.27	5010531	Washer 15x22x0,2 DIN 988	1
1.28	5010411	Shaft for gear wheel 13 teeth	1
1.29	5010501	Spring A5x5x28 DIN 6885	1
1.30	5010632	Gear wheel block 34/40 teeth	1
1.31	5010351	Needle bearing HK 0810	2
1.32	5015111	Gear box gasket	1
1.33	5015231	PT-Screw 50x40	4
1.34	5010291	Pin M4x12 DIN 1474	1
1.35	5010701	Motor housing complete	1
1.36	5010031	Screw HC 3,9x60 DIN 7981	2
1.37.1	5013501	Field coil 110V	1
1.37.2	5010821	Field coil 230V	1
1.38	5010641	Air conducting ring	1
1.39.1	5010851	Motor board 110V	1
1.39.2	5010842	Motor board 230V	1
1.40	5012771	Screw HC 2,9x13 DIN 7981	2
1.41	5014591	Needle bearing DL 0810	1
1.42	5010771	Shaft seal for grease chamber	1
1.43	5010071	Ball bearing 608 2RS	1
1.44	5013461	Shaft seal 20x35x7	1
1.45	5015281	Shaft seal 20x37x8	1
1.46	6010181	Hexagon socket set screw M8x8 DIN 913	2
1.47	5014681	Pressure spring	1
1.48	5014691	Spring bracket	1

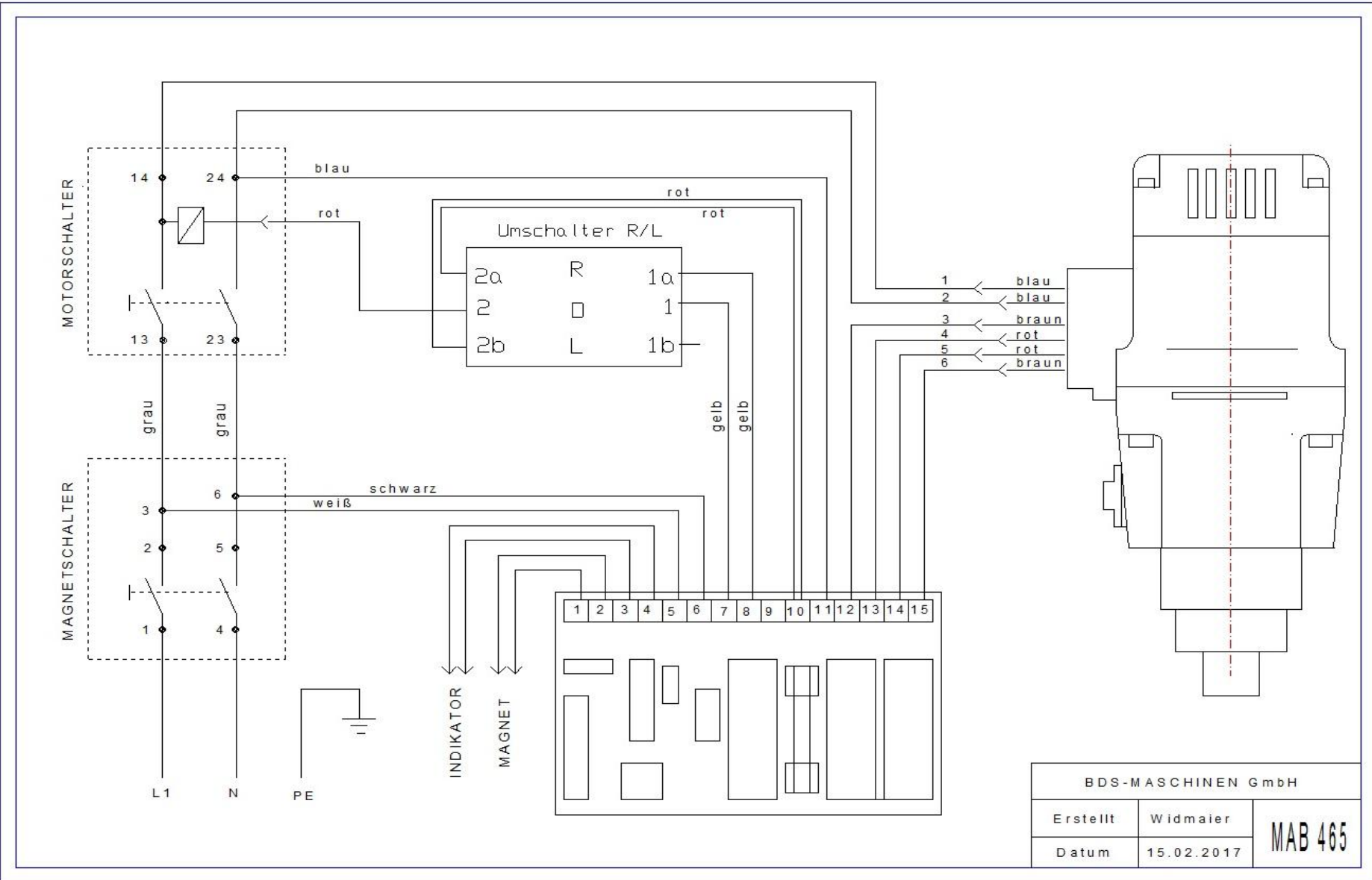
Pos. No.	Article no.	Description	pc.
1.49	5014701	Rubber ring 19x11x1,5	1
1.50	5014711	Disc	1
1.51	6010161	Circlip ring JK19/1	1
1.52	5015321	Circlip ring 37/1,5 DIN 472	1
1.53	ZSS 200N	Brass nipple for quick change coupling	1
1.54	5014341	Filler 30x20x15	1
1.55	5011401	Potentiometer for speed control 100 kOhm 2V	1
1.56	7010381	Adjustment wheel for potentiometer	1
1.57	5014981	Screw 4,8x25 ISO 14586	2
1.58	7014231	Cover for cable gland	1

MAB 465





Pos. No.	Article no.	Description	pc.
2.1	6012093	Housing for screwed guide rails (both sides)	1
2.2	6010021	Spring washer 6,1 DIN 7980	9
2.3	6010111	Hexagon socket head cap screw M6x25 DIN 912	3
2.4	6010054	Magnet (electric) with indicator	1
2.5	7010261	Dovetail carriage	1
2.6	4010251	Bracket for cable guiding	1
2.7	6010081	Rack	1
2.8	6010011	Hexagon socket cylinder head screw M6x16 DIN 912	5
2.9	6010211	Shaft for gear wheel	1
2.10	6010221	Washer for gear wheel 10,5x35x1,5	1
2.11	6010231	Screw M6x16 ISO 10642 08.8	1
2.12	6010242	Handle rod with knob	3
2.13	6012111	Coolant reservoir with tap	1
2.14	4000121	Pressure piece	1
2.15	6012181	Spring for motor cable	1
2.16	6012251	Guide rail (brass) left, to be screwed	1
2.17	6012261	Guide rail (brass) right, to be screwed, 4 holes	1
2.18	7012171	Hexagon socket cylinder head screw M6x20 DIN 7984	9
2.19	6010031	Nut M5 DIN 934	3
2.20	6010041	Adjusting screw M5x16 DIN 913	3
2.21	6050151	Washer 6,4x11x1,6 DIN 433	8
2.22	6012131	Cable gland PG9	1
2.23	6012191	Motor cable 670mm	1
2.24	4000101	Cylinder pin, hardened 6m6x10 DIN 6325	2
2.25.1	5104651	Motor complete 110V without housing for potentiometer compelte 100Kohm	1
2.25.2	5004651	Motor complete 230V without housing for potentiometer compelte 100Kohm	1
2.26	7011831	Cover of housing, back side	1
2.27	ZSS 200K	Quick change coupling	1
2.28	ZSS 200S	Coolant tube blue, short 260mm	1
2.29	7010061	Earthing complete	1
2.30	4010291	Cord grip for connection cable	1
2.31	7010031	Mains cable gland PG 11	1
2.32.1.1	7010052	Connection cable 110 V with GB-plug	1
2.32.2.1	7010242	Connection cable 110V with US-plug	1
2.32.1.2	7010042	Connection cable 230V complete with plug	1
2.33	7010081	Screw M4x6 DIN 966	4
2.34.1	7012691	Switch plate complete with PC board 3 Relais 110V	1
2.34.2	7012701	Switch plate complete with PC board 3 Relais 230V	1
2.35.1	6012161	Control board with 3 relais 110V	1
2.35.2	6012152	Control board with 3 relais 230 V	1
2.36.1	7010931	Actuator 110 V	1
2.36.2	7010801	Actuator 230V	1
2.37	7011061	Switch plate front side	1
2.38	7010142	Magnet switch, 4 connection terminals	1
2.39	7010101	LED display for indicator red/green incl. cable and frame	1
2.40	7010131	Fuse 2A, 5x20	1
2.41	6012171	Indicator with cable	1
2.42	7010482	Rocker switch right/left	1



BDS-MASCHINEN GmbH		
Erstellt	Widmaier	MAB 465
Datum	15.02.2017	

